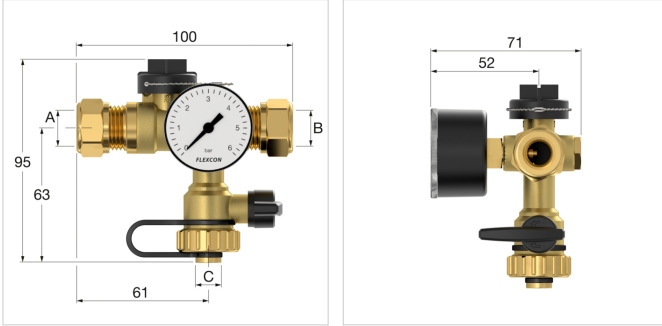



The Flexcon connection group ½" is used for draining and/or filling the system and disconnecting an expansion vessel in heating & cooling installations.



### Teknik Özellikler

- The set consists of a sealed ball valve including an integrated filling and drain ball valve.
- Min. / max. system temperature: -10 °C / 120 °C.
- Min. / max. system pressure: 0 / 6 bar.
- Suitable for water and water/glycol solutions up to 50% glycol.



Tip	Bağlantı			Basınç göstergeli		Sipariş Kodu
	A ["]	B ["]	C ["]			
Flexcon bağlantı grubu ½"	R ½" / K15 *	R ½" / K15 *	¾"	evet	1	27290

\* Sıkıştırma rakor.

**Çevrimiçi daha fazla bilgi bul:**[Montaj ve kullanma kılavuzu \(ENG\)](#)[Flexcon connection group STEP](#)[Flexcon connection group DWG](#)[Flexcon connection group RFA](#)[tech.exp.layout-heat.v050709.pdf](#)

Normtherm  
Enj. Sist. San. Ve Tic. Ltd. Şti.  
Gürpınar Mah. Gürpınar Cd.  
Abaylar İş Merkezi No:16/10  
, Beylikdüzü-İstanbul - tr

T 212 880 01 14

E [info@normtherm.com](mailto:info@normtherm.com)

I [www.flamcogroup.com/tr](http://www.flamcogroup.com/tr)