

KFE ball valve for use in heating systems, with red lever handle, self-sealing with special thread seal.



Avantajları

- Safe installation thanks to self-sealing thread
- Exact axial positioning using lock nut
- Exact guidance of blanking cap by stainless steel swivel bracket – no chain or loop to tear off
- Hidden operating element by blanking cap, which serves as a manual wheel

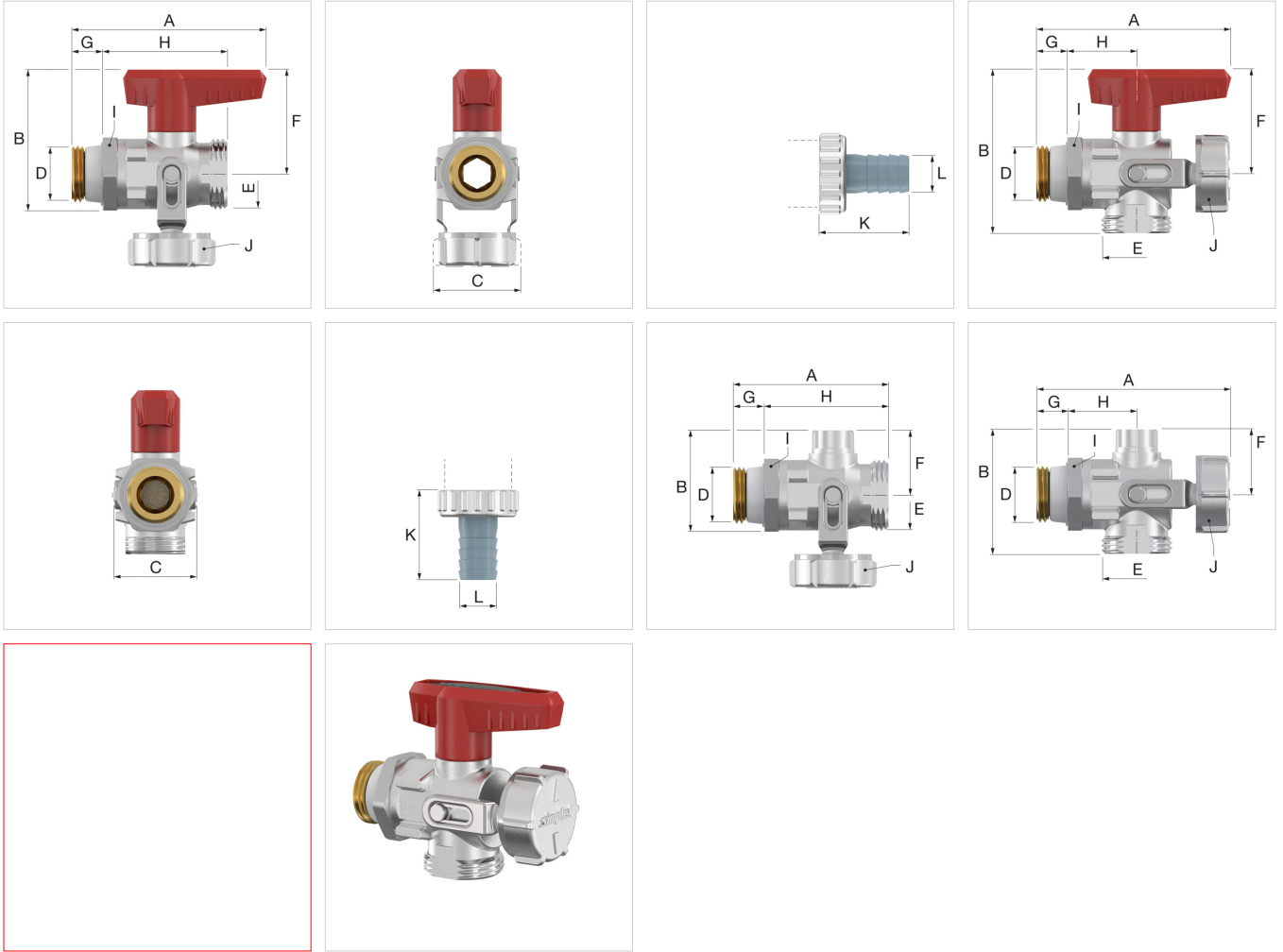
Teknik Özellikler


- Max. operating temperature: 110 °C permanent temperature, 130 °C short-term
- Max. operating pressure: 10 bar
- Nominal pressure range: PN 16
- Operating medium:
Heating water in accordance with VDI 2035
Water-glycol mixes up to 50%

Materials

- Housing: Nickel-plated brass
- Bracket: Stainless steel
- Nipple, spindle, lock nut: Brass
- Ball: Chromium-plated brass
- Hose connection: Reinforced plastic
- O-rings, self-sealing thread seal: EPDM
- Ball seal: PTFE

Massive design, lever handle exchangeable depending on application, hard chrome-plated ball with full bore in a Teflon seat, operating spindle with double O-ring seal.

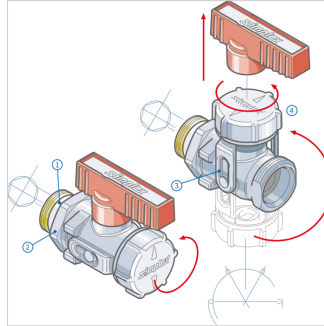


Type	With hose connection	Version	Connection			Article no.
			D	E		
KFE-KH - D	-	Straight	G 1/2" M	G 3/4" M	20	F10637
KFE-KH - E	-	Angle	G 1/2" M	G 3/4" M	20	F10670
KFE-KH - D SV	✓	Straight	G 1/2" M	G 3/4" M	20	F10638
KFE-KH - E SV	✓	Angle	G 1/2" M	G 3/4" M	20	F10671
KFE-KH - D silicone-free *	-	Straight	G 1/2" M	G 3/4" M	20	F10657
KFE-KH - E silicone-free *	-	Angle	G 1/2" M	G 3/4" M	20	F10658
KFE-KH without handle - D	-	Straight	G 1/2" M	G 3/4" M	20	F10644
KFE-KH without handle - E	-	Angle	G 1/2" M	G 3/4" M	20	F10677

* Free of lubricants and assembly aids that interfere with painting of completed installations.

Dimensions

Type	Dimensions [mm]									
	A	B	C	F	G	H	I (WS)	J (WS)	K	L (Ø)
KFE-KH - D	72	52,5	32,5	40	11	46,5	27	30	-	-
KFE-KH - E	72	62,0	31,0	40	11	26,0	27	30	-	-
KFE-KH - D SV	72	52,5	32,5	40	11	46,5	27	30	33	14,5
KFE-KH - E SV	72	62,0	31,0	40	11	26,0	27	30	33	14,5
KFE-KH without handle - D	57,5	37,5	32,5	24	11	46,5	27	30	-	-
KFE-KH without handle - E	71,3	49,5	31,0	24	11	26,0	27	30	-	-

**Çevrimiçi daha fazla bilgi bul:**[Installation Instructions](#)[DWG](#)[RFA](#)[STEP](#)[Brochure](#)[Leaflet](#)[Easy installation](#)[Operation without handle](#)[Corner installation](#)[Allen key](#)[Anti-vandalism](#)

Normtherm
Enj. Sist. San. Ve Tic. Ltd. Şti.
Gürpınar Mah. Gürpınar Cd.
Abaylar İş Merkezi No:16/10
, Beylikdüzü-İstanbul - tr

T 212 880 01 14
E info@normtherm.com
I www.flamcogroup.com/tr