

KFE ball valve for use in heating systems, with red lever handle.



#### Avantajları

- Exact axial positioning using lock nut
- Exact guidance of blanking cap by stainless steel swivel bracket – no chain or loop to tear off
- Hidden operating element by blanking cap, which serves as a manual wheel

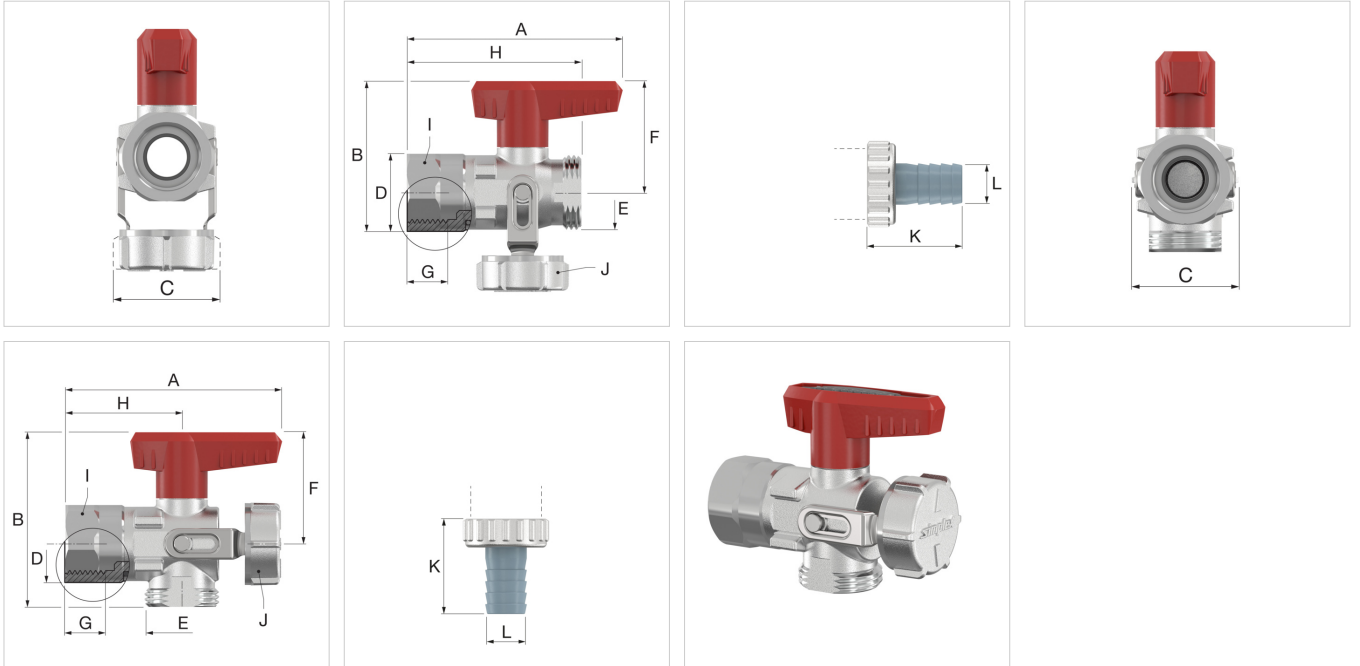
#### Teknik Özellikler

- Max. operating temperature: 110 °C permanent temperature, 130 °C short-term
- Max. operating pressure: 10 bar
- Nominal pressure range: PN 16
- Operating medium:  
Heating water in accordance with VDI 2035  
Water-glycol mixes up to 50%

#### Materials

- Housing: Nickel-plated brass
- Bracket: Stainless steel
- Nipple, spindle, lock nut: Brass
- Ball: Chromium-plated brass
- Hose connection: Reinforced plastic
- O-rings: EPDM
- Ball seal: PTFE

Massive design, lever handle exchangeable depending on application, hard chrome-plated ball with full bore in a Teflon seat, operating spindle with double O-ring seal.



Type	With hose connection	Version	Connection		-	Article no.
			D	E		
KFE-KH F - D SV	✓	Straight	Rp 1/2"	G 3/4" M	20	F10646
KFE-KH F - D	-	Straight	Rp 1/2"	G 3/4" M	20	F10634
KFE-KH F - E	-	Angle	Rp 1/2"	G 3/4" M	20	F10664
KFE-KH F - E SV	✓	Angle	Rp 1/2"	G 3/4" M	20	F10676

### Dimensions

Type	Dimensions [mm]									
	A	B	C	F	G	H	I (WS)	J (WS)	K	L (Ø)
KFE-KH F - D	76	53,0	32,5	40	12	61,0	27	30	-	-
KFE-KH F - E	76	61,5	31,0	40	12	40,5	27	30	-	-
KFE-KH F - D SV	76	53,0	32,5	40	12	61,0	27	30	33	14,5
KFE-KH F - E SV	76	61,0	31,0	40	12	40,5	27	30	33	14,5



**Çevrimiçi daha fazla bilgi bul:**[DWG](#)[RFA](#)[STEP](#)[Brochure](#)[Leaflet](#)[Easy installation](#)[Operation without handle](#)[Corner installation](#)[Allen key](#)[Anti-vandalism](#)

Normtherm  
Enj. Sist. San. Ve Tic. Ltd. Şti.  
Gürpınar Mah. Gürpınar Cd.  
Abaylar İş Merkezi No:16/10  
, Beylikdüzü-İstanbul - tr

T 212 880 01 14

E [info@normtherm.com](mailto:info@normtherm.com)

I [www.flamcogroup.com/tr](http://www.flamcogroup.com/tr)