

Freezing in HVAC systems can cause significant damage. When the system freezes, the water inside will expand, which can lead to burst pipes, damage to the heat pump and system inefficiencies or complete failure. An important safety measure to avoid these risks is to install antifreeze valves in the system.

The Frostguard Antifreeze valve is designed to protect heating and cooling systems from freezing by automatically draining the circuit medium when the temperature falls below 2 °C, thereby preventing ice formation. This is done by the anti- vacuum valve and a heat sensitive element that triggers system drainage, if system fluids reach these critical levels.

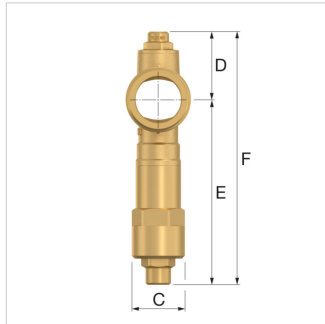
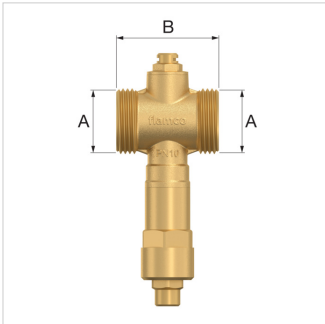
This valve is crucial for protecting heat pumps, pipes and other water keeping components in an installation, where ice could cause substantial damage. It reseals once the temperature rises back above 4,5 °C, a temperature beyond which the element closes the discharge hole and allows a new pressurization of the system.


It offers full system protection, even in the event of power failure. This functionality is vital for ensuring the continuous operation and safety of heating systems in cold environments, preventing potential damage to valves and pipes. For optimal freeze prevention, it's recommended to install two frostguards: one on the inlet and another on the return pipe.



Teknik Özellikler

- Maximum working pressure: 6 bar.
- Nominal pressure: PN10.
- Min./ max. working temperature: 0 / 90 °C.
- Opening temperature: 2 °C +/- 1 °C.
- Closing temperature: 4.5 °C +/- 1 °C.
- Connections: Flat sealing male thread.
- Housing material: Brass (CW617N).
- Compatible fluids are: Water, heat transfer fluid.
- Cartridge with removable and replaceable thermostatic element.
- Integrated vacuum breaker valve.



Type	Boyutlar						Ağırlık [kg]		Sipariş Kodu
	A [mm]	B [mm]	Ø C [mm]	D [mm]	E [mm]	F [mm]			
Antifreeze valve 1"	G 1" M	52	27	35	94	129	0,32	1	27890
Antifreeze valve 1 1/4"	G 1 1/4" M	59	27	37	96	133	0,43	1	27891

Çevrimiçi daha fazla bilgi bul:[Montaj ve kullanma kılavuzu](#)

Normtherm
Enj. Sist. San. Ve Tic. Ltd. Şti.
Gürpınar Mah. Gürpınar Cd.
Abaylar İş Merkezi No:16/10
, Beylikdüzü-İstanbul - tr

T 212 880 01 14
E info@normtherm.com
I www.flamcogroup.com/tr